



V7-2B17D8-022



Actual product appearance may vary.

V7 Series Miniature Basic Switch, Single Pole Double Throw Circuitry, 11 A at 277 Vac, Straight Lever Actuator, 0,40 N [1.5 oz] Maximum Operating Force, Silver Contacts, Quick Connect Termination

V7 Series Features

- World-wide package size acceptance
- Current rating ranges from 0.1 A to 25 A
- Wiping contact action
- Temperature range to 177 °C [350 °F]
- Long mechanical life
- Elongated mounting holes for easier, more accurate mounting
- UL/CSA recognized, ENEC (European) approval available
- Choice of actuation, termination and operating characteristics

Potential Applications

- Appliances
- Vending machines
- Timing devices
- Office equipment
- Computer/business equipment
- Test instruments
- Medical/dental equipment
- Communications equipment
- HVAC equipment
- Manually operated devices
- Valves
- Gaming equipment
- Pressure switches

Description

MICRO SWITCH™ V5 and V7 Series basic switches are used for simple or precision on/off, end of limit, presence/absence, pressure, temperature and manual operator interface application needs.

Product Specifications	
Switch Type	MICRO SWITCH™ Miniature 15,9 mm H x 10,2 mm W x 28,8 mm L [0.63 in H x 0.4 in W x 1.14 in L]
Sealed	No
Ampere Rating	11 A
Circuitry	Single Pole Double Throw (SPDT)
Actuator	Straight Lever
Termination	Quick Connect
Operating Temperature Range	-40 °C to 82 °C [-40 °F to 180 °F]
Voltage	277 Vac
Approvals	CSA,UL,ENEC
Actuator Length	35,6 mm [1.40 in]
Contact Type	Silver

Operating Force (O.F.)	0,40 N [1.5 oz] max.
Release Force (R.F.)	0,03 N [0.1 oz] min.
Pretravel (P.T.)	3,05 mm [0.120 in] max.
Overtravel (O.T.)	1,70 mm [0.067 in] min.
Differential Travel (D.T.)	0,69 mm [0.027] max.
Operating Position (O.P.)	15,3 ± 1,041 mm [0.603 ± 0.041 in]
Housing Material	PCT PolyesterThermoplastic
High Temperature	85 °C [185 °F]
CE mark	61058-1
UL File #	E12252
CSA File #	LR41370
Agency Approvals and Standards	1054
Mounting Centers	22,2 mm [0.88 in]
Maximum Tightening Torque	0,56 N m [5.0 in lb]
Weight	8 g [0.3 oz]
Package Height	16 mm [0.63 in]
Package Width	10,2 mm [0.40 in]
Package Length	27,7 mm [1.09 in]
Availability	Global
UNSPSC Code	30211905
UNSPSC Commodity	30211905 Snap switches
Series Name	V7

MICRO SWITCH
a Honeywell Division

FED. MFG. CODE 91 929

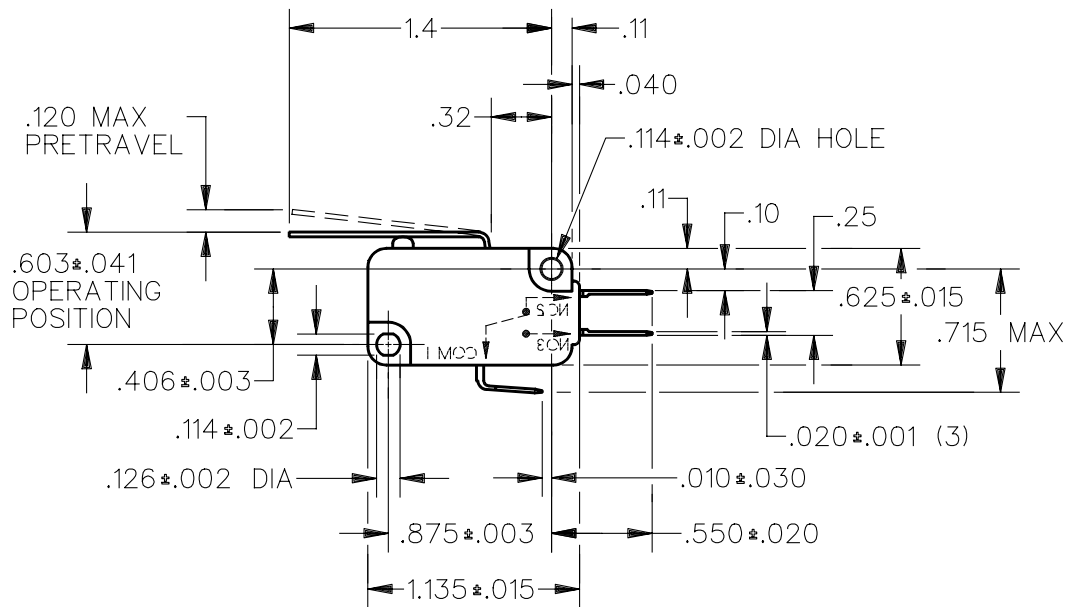
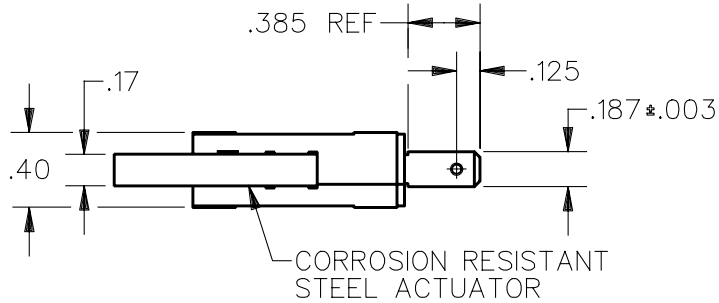
SWITCH - BASIC

CATALOG LISTING

V7-2B17D8-022

CW-B3083

CATALOG LISTING
V7-2B17D8-022
REPLACES
RELEASE NO. PR-19124
ISSUE
M
2

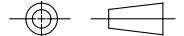


REVISIONS	
A	CO
	76214
	G R I
	25 OCT 93

REVISIONS
A CO 76214
G R I
25 OCT 93
CHECK
CHECK
4 APR 91
J A P
4 APR 91
CHECK
J A P
4 APR 91
CHECK
D D M / C A D
D R A W N

THIS DRAWING COVERS A PROPRIETARY ITEM AND IS THE PROPERTY OF MICRO SWITCH, A DIVISION OF HONEYWELL. THIS DRAWING IS NOT TO BE COPIED OR USED WITHOUT THE APPROVAL OF MICRO SWITCH.

THIRD ANGLE PROJECTION



CHARACTERISTICS	ELECTRICAL DATA	SCALE FULL	DO NOT SCALE PRINT
OPERATING FORCE — — — 41 GRAM MAX	CONTACT ARRANGEMENT S P D T	UNLESS OTHERWISE SPECIFIED TOLERANCES ARE	
RELEASE FORCE — — — 3 GRAM MIN	L156 11A 1/3HP 125, 250 OR 277 VAC 1/2A 125 VDC, 1/4A 250 VDC 4A 125 VAC "L"	ONE PLACE (.0) ± .030	
DIFFERENTIAL TRAVEL — — .027 MAX		TWO PLACE (.00) ± .015	
OVERTRAVEL — — — .067 MIN		THREE PLACE (.000) ± .005	
RELEASE TRAVEL — — — .017 MIN		ANGLES ±	
		WEIGHT	

